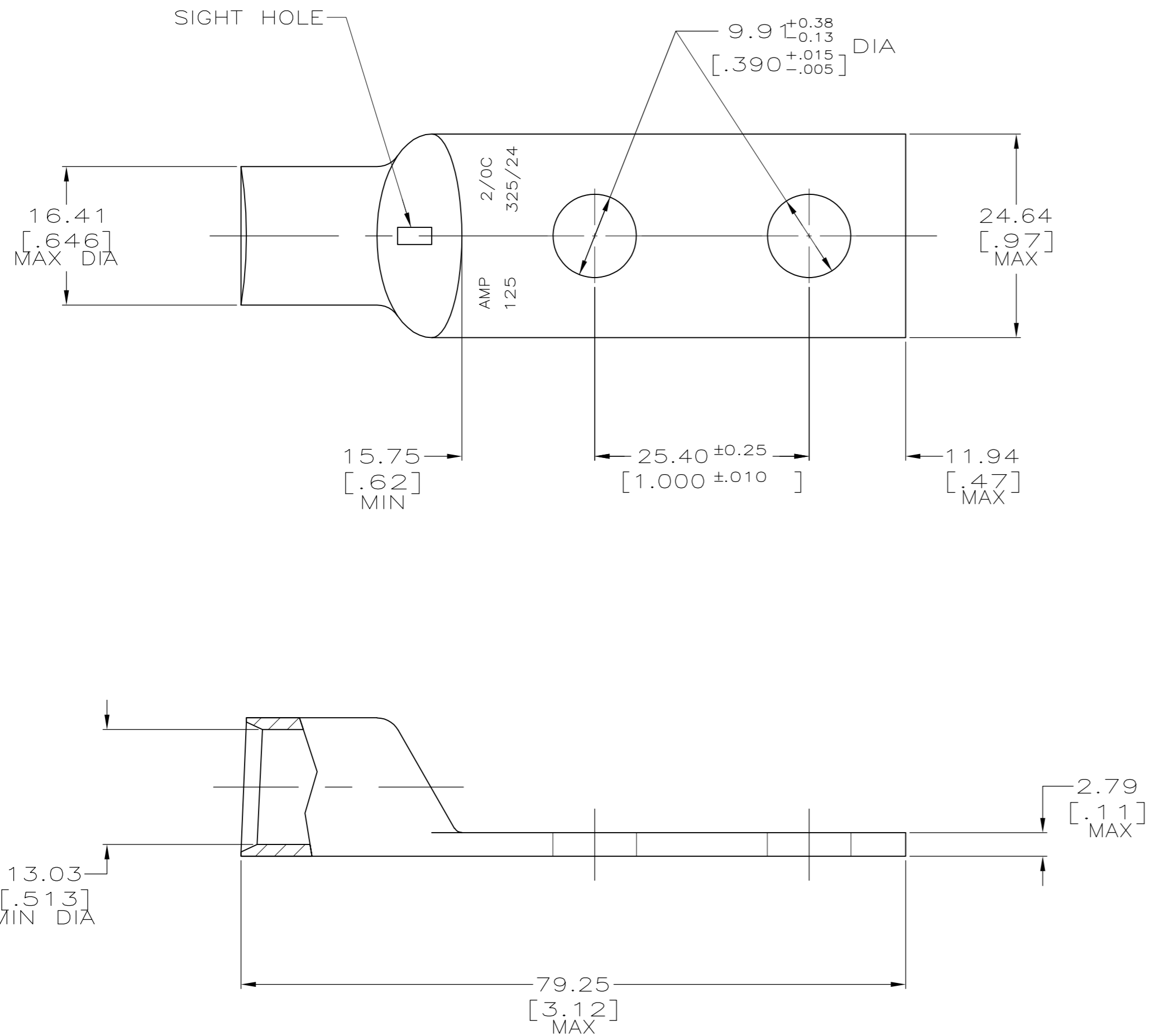


THIS DRAWING IS UNPUBLISHED. RELEASED FOR PUBLICATION
 © COPYRIGHT BY TYCO ELECTRONICS CORPORATION. ALL RIGHTS RESERVED.

LOC	DIST	REVISIONS					
		P	LTR	DESCRIPTION	DATE	DWN	APVD
G	86						
		U1		REV PER ECR 08-001640	18JAN08	JR	MS



- 1 CIRCULAR MIL AREA RANGE: 119,500-150,500 CM
- 2 COPPER PER ASTM B-75, ANNEALED
- 3 TIN PL 0.00381[.000150] MIN THK PER MIL-T-10727
- 4 MAX RECOMMENDED OPERATING TEMPERATURE 170°C

326801
 PART NO.

THIS DRAWING IS A CONTROLLED DOCUMENT.		DWN DK SCHRUM 02/28/90	Tyco Electronics Corporation Harrisburg, PA 17105-3608	
DIMENSIONS: MM [INCHES]		CHK MS FEHER 18JAN95	NAME TL SHUTTER	
TOLERANCES UNLESS OTHERWISE SPECIFIED:		APVD TL SHUTTER 18JAN95	PRODUCT SPEC	
0 PLC ± -		APPLICATION SPEC		
1 PLC ± -		-		
2 PLC ± 0.51[.020]		-		
3 PLC ± -		-		
4 PLC ± -		-		
ANGLES ± -		-		
FINISH		WEIGHT .080 LB	SIZE A2	CAGE CODE 00779
-		DRAWING NO C=326801		RESTRICTED TO -
-		CUSTOMER DRAWING		SCALE 2:1
		SHEET 1 of 1		REV U1